



RF Components

# 2-Way L-Band Active Splitter

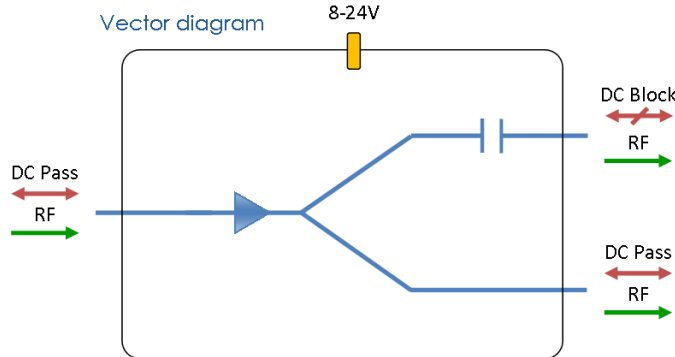
## 850 - 2150 MHz

Model Number:  
**DIV02L1A-2372**

- 10dB gain
- Flat frequency response
- One port DC pass
- Requires 8-24V external DC bias

Available with RF connector options:

- 50 Ω SMA
- 50 Ω N-type
- 50 Ω BNC
- 75 Ω BNC
- 75 Ω F-type



**8-24V**  
External DC  
powering

**Compact**  
Housed in  
rugged compact  
enclosure

**Flexible  
Mounting**  
Tapped screw &  
through hole  
mounting options

**850-2150 MHz**  
Operating frequency  
range.



		RF Parameters				
DIV02L1A-2372-XXXX		S5S5	N5N5	B5B5	B7B7	F7F7
Frequency Range		850 - 2150 MHz				
RF Connectors		50Ω SMA	50Ω N-Type	50Ω BNC	75Ω BNC	75Ω F-Type
Mean Gain (dB)	Typ.	10 ± 2	10 ± 2	10 ± 2	10 ± 2	10 ± 2
Input Return Loss (dB)	Typ.	16	16	14	12	10
	Min	12	12	10	9	7
Output Return Loss (dB)	Typ.	16	16	14	12	10
	Min	12	12	10	9	7
Output P1dB GCP* (dBm)	Typ.	5	5	5	5	5
	Min	3	3	3	3	3
Isolation (dB)	Typ.	20	20	20	20	20
Noise Figure (dB)	Typ.	8	8	8	8	8

\*GCP (Gain Compression Point)

### Broadcast



### Marine Oil & Gas



### SNG & VSAT



### Satellite Teleport

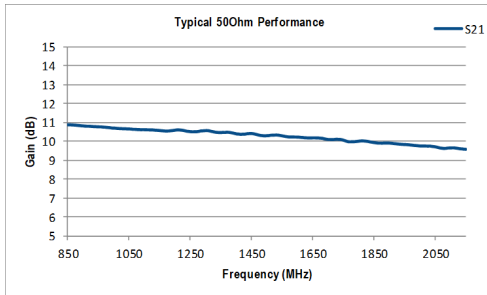




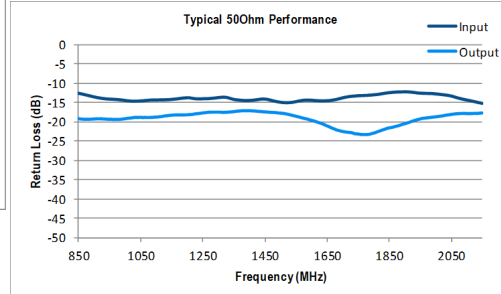
RF Components

Model Number:  
**DIV02L1A-2372**  
2-Way L-Band Active Splitter

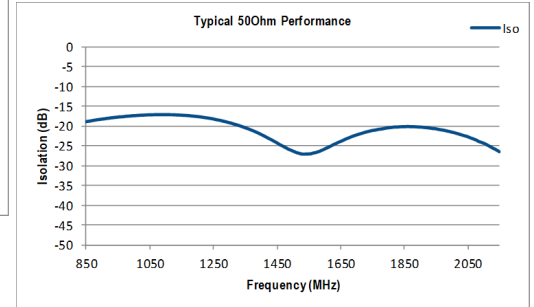
Technical specifications and operating parameters



Gain (dB)



Return Loss (dB)



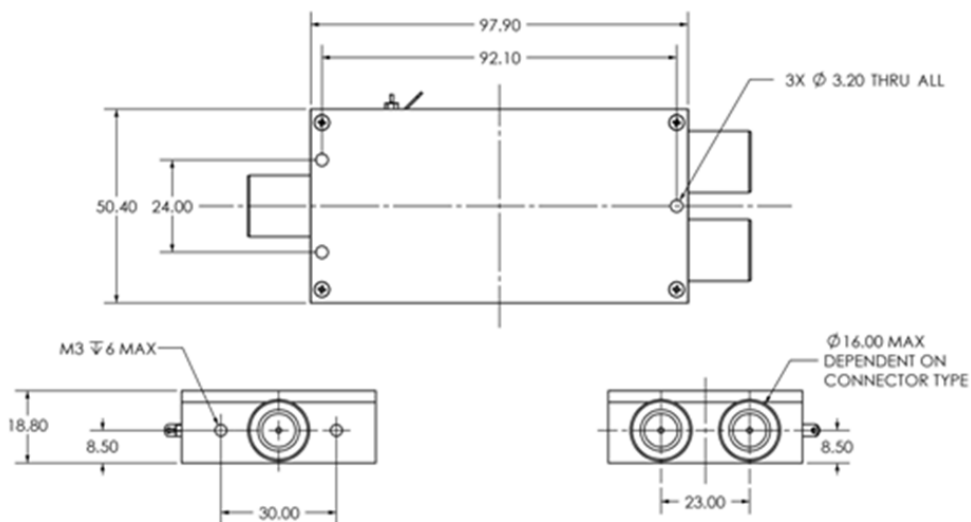
Isolation (dB)

Environmental		
Operating Temperature		0°C to +45°C
Storage Temperature		-20°C to +75°C
Location		Indoor use Only
Humidity	Max	85% non-condensing
Altitude	Max	10,000 feet

Max Operating Parameters		
Input RF Power		+16 dBm
DC Voltage		24V on any RF port
DC Current	Max	3A on any RF port

! Operation beyond these limits may cause instantaneous and permanent damage.

Physical Dimensions (mm)



Note: The specification is subject to regular reviews and will be updated from time to time as part of our continuing product development and improved specification accuracy.

ETL SYSTEMS LIMITED  
Coldwell Radio Station  
Madley  
Hereford  
England HR2 9NE

TELEPHONE  
+44 (0)1981 259020  
  
EMAIL  
info@etlsystems.com

FACSIMILE  
+44 (0)1981 259021  
  
WEB  
www.etlsystems.com

